

PRODUCT CATEGORY: **Bath Accessories**

PRODUCT: **Infinity**

SERIES NUMBER: **8400 Series**

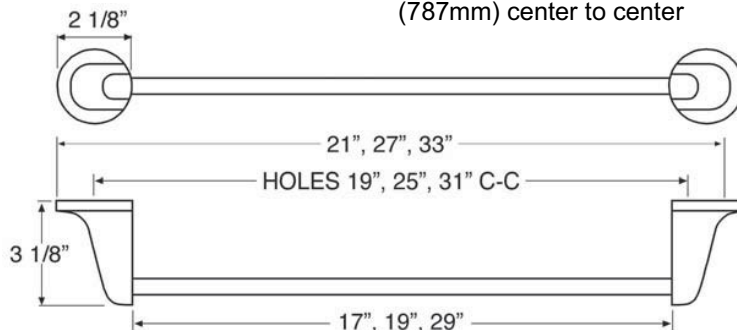
- GENERAL SPECIFICATIONS:
- Available in Visual or Contractor Pack
 - Available in five finishes: Polished Chrome, Polished Brass, White, Satin Chrome and Satin Nickel
 - Construction: Zamac (diecast zinc alloy)
- Available in:*
- Canada & U.S.* **Polished Chrome Finish**
 - Process: polished, copper plated, nickel plated, and then chrome plated
 - U.S. only* **Polished Brass Finish**
 - Process: polished, copper plated, nickel-plated, bright brass plated, and then epoxy clear coated
 - Canada & U.S.* **White Finish**
 - Process: vibration processed, cleaned, pre-plated process, and then white coated
 - U.S. only* **Satin Chrome Finish**
 - Process: polished, copper plated, nickel plated, and then satin chrome plated
 - Canada & U.S.* **Satin Nickel Finish**
 - Process: polished, copper plated, nickel plated, satin nickel plated, brushed, and then epoxy clear coated
 - U.S. only* **Aged Bronze Finish**
 - Process: polished, copper plated, brown antique copper (dying only), dry, brushed and then epoxy (frosted) coated

PRODUCT	ILLUSTRATION	DESCRIPTION
---------	--------------	-------------

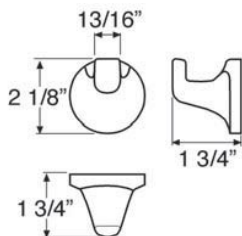
Towel Bar

Available in: **18"**
24"
30"

- Concealed surface mount application
- Includes mounting plates – 1¹³/₁₆" (46mm) x 1³/₁₆" (30mm); 4 nylon anchors and 4 steel Phillips head screws – #8 x 1¹/₄" (32mm)
- ¾" (19mm) tubing
- Protrudes 3¹/₈" (79mm) from the mounting surface
- 18" towel bar – 21" (533mm) L; drilled holes 19" (483mm) center to center
- 24" towel bar – 27" (686mm) L; drilled holes 25" (635mm) center to center
- 30" towel bar – 33" (838mm) L; drilled holes 31" (787mm) center to center

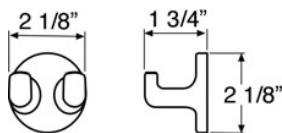


Single Robe Hook



- Concealed surface mount application
- Includes mounting plates – 1¹³/₁₆" (46mm) x 1³/₁₆" (30mm); 2 nylon anchors and 2 steel Phillips head screws – #8 x 1¹/₄" (32mm)
- Protrudes 1³/₄" (44mm) from the mounting surface;
- Overall size: 2¹/₈" (54mm) x 2¹/₈" (54mm)

Double Robe Hook

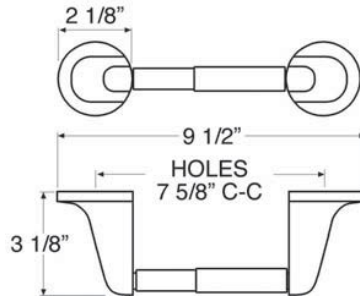


- Concealed surface mount application
- Includes mounting plates – 1¹³/₁₆" (46mm) x 1³/₁₆" (30mm); 2 nylon anchors and 2 steel Phillips head screws – #8 x 1¹/₄" (32mm)
- Protrudes 1³/₄" (44mm) from the mounting surface;
- Overall size: 2¹/₈" (54mm) x 2¹/₈" (54mm)

PRODUCT	ILLUSTRATION	DESCRIPTION
Towel Ring		<ul style="list-style-type: none"> ▪ Concealed surface mount application ▪ Includes mounting plates – 1¹³/₁₆" (46mm) x 1³/₁₆" (30mm); 2 nylon anchors and 2 steel Phillips head screws – #8 x 1¹/₄" (32mm) ▪ Protrudes 1³/₄" (44mm) from the mounting surface ▪ Overall size: 6" (152mm) x 6³/₈" (162mm) <p>Ring</p> <ul style="list-style-type: none"> ▪ 6" (152mm) diameter ▪ Construction: chrome plated steel; polished brass plated aluminum; or white plated aluminum
Toothbrush & Tumbler Holder		<ul style="list-style-type: none"> ▪ Concealed surface mount application ▪ Includes mounting plates – 1¹³/₁₆" (46mm) x 1³/₁₆" (30mm); 2 nylon anchors and 2 steel Phillips head screws – #8 x 1¹/₄" (32mm) ▪ Protrudes 3³/₄" (95mm) from the mounting surface ▪ Overall size: 4⁷/₈" (124mm) x 2¹/₈" (54mm)
Soap Dish		<ul style="list-style-type: none"> ▪ Concealed surface mount application ▪ Includes mounting plates – 1¹³/₁₆" (46mm) x 1³/₁₆" (30mm); 2 nylon anchors and 2 steel Phillips head screws – #8 x 1¹/₄" (32mm) ▪ Protrudes 3³/₄" (95mm) from the mounting surface ▪ Overall size: 4⁷/₈" (124mm) x 2¹/₈" (54mm)

PRODUCT	ILLUSTRATION	DESCRIPTION
---------	--------------	-------------

Paper Holder

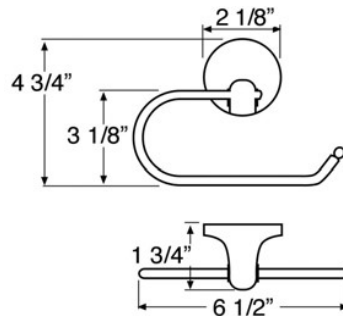


- Concealed surface mount application
- Includes mounting plates – 1¹³/₁₆" (46mm) x 1³/₁₆" (30mm); 4 nylon anchors and 4 steel Phillips head screws – #8 x 1/4" (32mm)
- Protrudes 3¹/₈" (79mm) from the mounting surface
- Drilled holes 7⁵/₈" (194mm) center to center
- Overall size: 9¹/₂" (241mm) x 2¹/₈" (54mm)

Roller

- Construction: plated plastic with spring tension

European Paper Holder/ Towel Holder



- Concealed surface mount application
- Includes mounting plates – 1¹³/₁₆" (46mm) x 1³/₁₆" (30mm); 4 nylon anchors and 4 steel Phillips head screws – #8 x 1/4" (32mm)
- Protrudes 1³/₄" (44mm) from the mounting surface
- Overall size: 6¹/₂" (165mm) x 4³/₄" (121mm)

Hook

- 6¹/₂" (165mm) x 3¹/₈" (79mm)
- Construction: "C" type steel

Accent Ring

- Available in three finishes: Polished Chrome, Polished Brass, and White
- Construction: Zamac (diecast zinc alloy)